

isc N-Channel MOSFET Transistor

2SK1446

DESCRIPTION

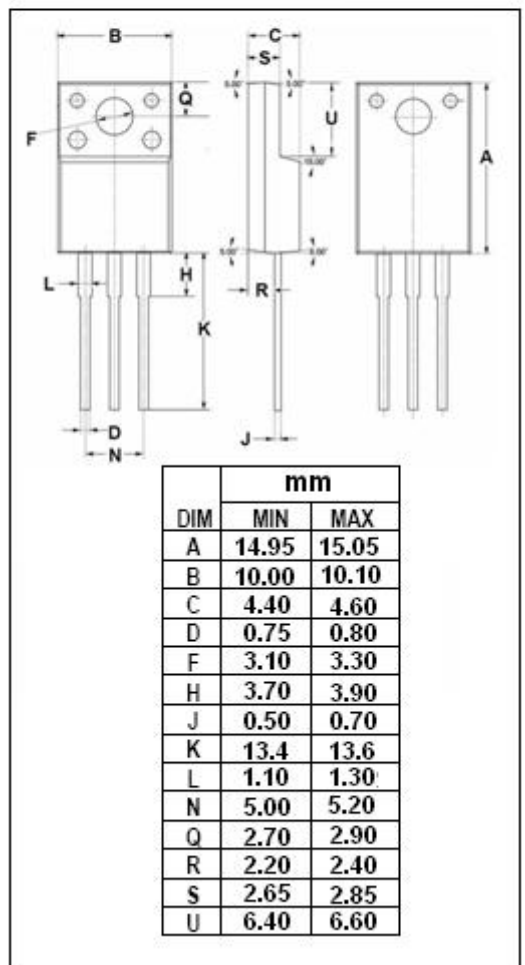
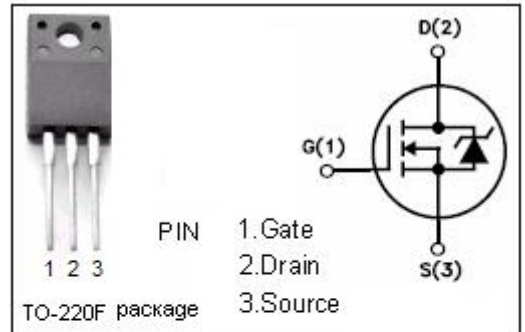
- Drain Current $-I_D=7A @ T_C=25^\circ C$
- Drain Source Voltage-
: $V_{DSS}= 450V(\text{Min})$
- Fast Switching Speed

APPLICATIONS

- Designed for high voltage, high speed power switching

ABSOLUTE MAXIMUM RATINGS($T_a=25^\circ C$)

SYMBOL	ARAMETER	VALUE	UNIT
V_{DSS}	Drain-Source Voltage ($V_{GS}=0$)	450	V
V_{GS}	Gate-Source Voltage	± 30	V
I_D	Drain Current-continuous@ $T_C=25^\circ C$	7	A
P_{tot}	Total Dissipation@ $T_C=25^\circ C$	35	W
T_j	Max. Operating Junction Temperature	150	$^\circ C$
T_{stg}	Storage Temperature Range	-55~150	$^\circ C$



isc N-Channel Mosfet Transistor

2SK1446

• ELECTRICAL CHARACTERISTICS (T_C=25°C)

SYMBOL	PARAMETER	CONDITIONS	MIN	TYP	MAX	UNIT
V _{(BR)DSS}	Drain-Source Breakdown Voltage	V _{GS} =0; I _D = 1mA	450			V
V _{GS(th)}	Gate Threshold Voltage	V _{DS} =10 V _{GS} ; I _D =1mA	2.0		3.0	V
R _{DS(on)}	Drain-Source On-stage Resistance	V _{GS} =10V; I _D =4A		0.6	0.8	Ω
I _{GSS}	Gate Source Leakage Current	V _{GS} = ±30V; V _{DS} = 0			± 100	nA
I _{DSS}	Zero Gate Voltage Drain Current	V _{DS} =450V; V _{GS} = 0			1	mA
V _{SD}	Diode Forward Voltage	I _F =7A; V _{GS} =0			1.8	V
t _r	Rise time	V _{GS} =10V; I _D =4A; R _L =50 Ω		40		ns
t _{on}	Turn-on time			60		ns
t _f	Fall time			60		ns
t _{off}	Turn-off time			220		ns